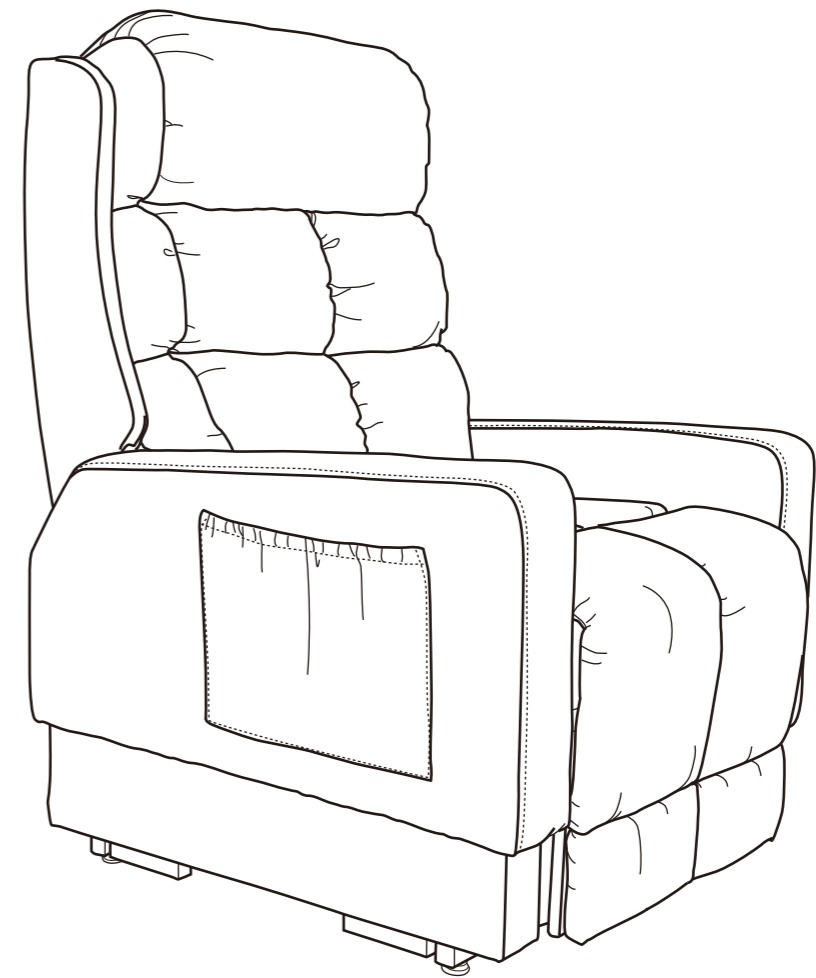




14515 E Don Julian Rd, City of Industry, CA 91746
Tel: 1-877-977-0656
Fax: 1-800-521-4712
Email: service@cozziausa.com

USE & CARE MANUAL

Mobility Seating Series



See more product update at:

WWW.COZZIAUSA.COM

MC-510

WWW.COZZIAUSA.COM

Welcome To **COZZIA**

Thank you for purchasing this Mobility Seating MC-510. Before using your chair, please take some time to read the contents of this instruction manual and for ease enjoyment of this product, continue to use same as a reference guide.

MC-510

Mobility Seating Series

TABLE OF CONTENTS

Safety Instructions	01
Chair Components	02
Chair Specifications	03
Assembly	04-05
Features	06
Operation	07
Trouble Shooting	08
Warranty Information	09-11
Warranty Card (Attachment)	

SAFETY INSTRUCTIONS

IMPORTANT

READ THIS MANUAL FIRST BEFORE INSTALLING OR OPERATING YOUR POWER LIFT AND RECLINER CHAIR.

Your mobility seating has been engineered to provide the ultimate in strength and reliability. Great care has been taken to provide you with total comfort and safety. Each unit is thoroughly inspected and tested prior to shipment.

CAUTION! Do not place objects appendages in the path of moving parts.

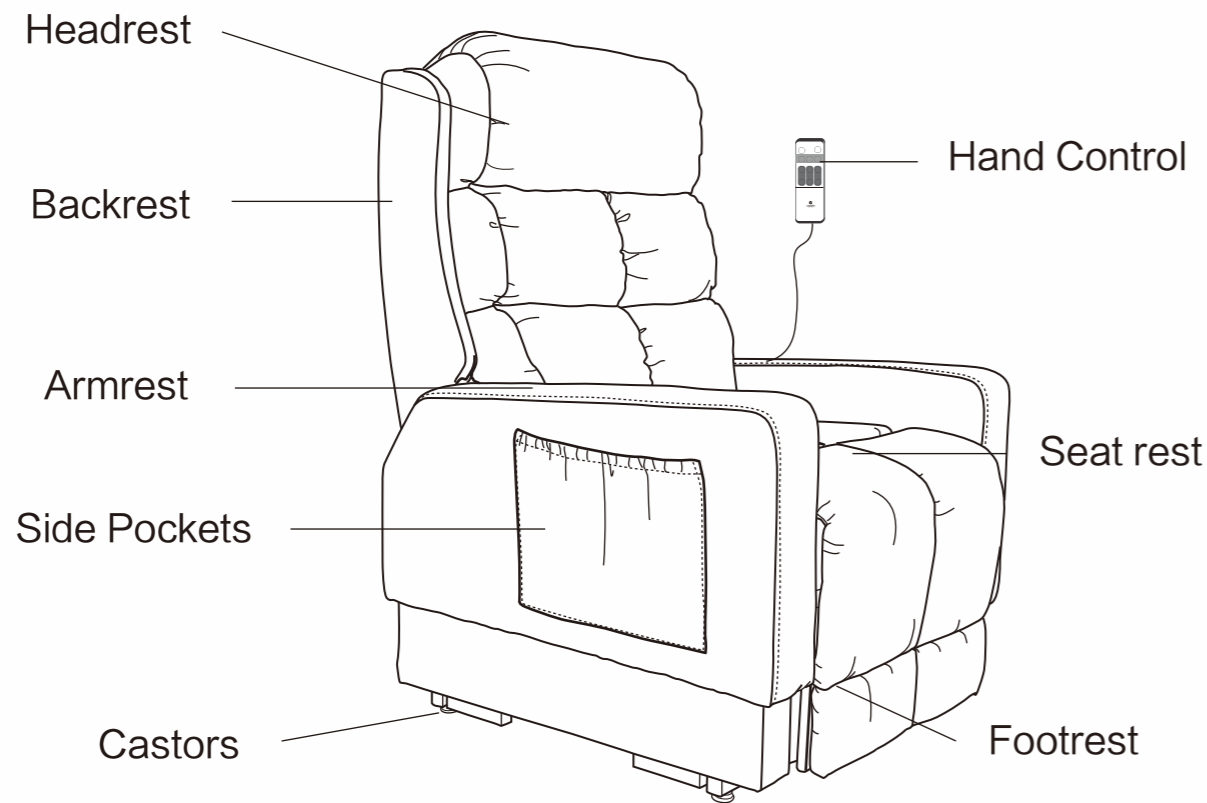
Do not allow children or pets to play on this mechanized chair or operate this mechanism. Leg rest folds down on closing or chair lift-up folds down so that the child or pet could possibly be injured. Please always leave this chair in an upright and closed position. Keep hands and feet clear of it. ONLY the user should operate it.

WARNING!

- Care should be taken in the unpacking of this unit, so as not to cause injury to persons or damage to the unit. Dispose of all plastic bags and covers, as they can be smothering hazard to small children.
- Do not allow people sit on the chair while moving the chair.
- Do not allow children or pets near the chair while the chair is operating.
- Do not allow children to play with or operate the chair at any time.
- Do not flop down into the chair when getting into it, or while it is in its lift position. Flopping down into the chair will damage it and could cause personal injury.
- Do not allow anyone to sit on your lap, or on the arm of the chair, or on the footrest while operating the chair, as it may cause tipping and could result in personal injury.
- Do not place fingers or hand between the seat cushion and the inside arm of the chair while sitting in the chair or when the chair is operating or plugged into a power source.
- Do not retrieve fallen objects from inside or under the chair while the chair is plugged into a power source.
- Do not operate chair if there are any persons, pets or other obstructions under or in front of the footrest, under the chair or behind the chair.
- Do not smoke while operating, sitting or resting in the chair.
- To reduce risk of electrical shock, do not immerse any of the electrical components into a liquid, or spill any liquids onto electrical components.
- Warranty will be void if any of the electrical components are opened by other than a qualified service person.
- Make sure the chair is placed at the specified distance from a wall/corner. Failure to do so can damage the chair and will void the warranty.



CHAIR COMPONENTS



CHAIR SPECIFICATIONS

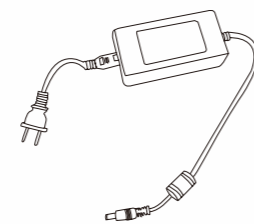
Description	Specification
Model No.	MC-510
Input Voltage	100~240V
Output Voltage	24V 3A
Rated Frequency	50~60Hz
Rated Power Consumption	72W
Weight Capacity	300LBS
Dimension(L x W x H)	Sitting Dimension 35.9" * 30" * 44"
	Reclined Dimension 73.3" * 30" * 22.9"
	Upright Dimension 37.8" * 30" * 59.5"
	Packing Dimension 54.3" * 30.3" * 33.7"
Weight	Gross weight 158.7LBS
	Net weight 193LBS

Check the accessories at first

Hand Control



Power Adaptor



ASSEMBLY

Step 1.

Lay a carpet, etc. on the set-up place.

It prevents damaging the floor, and mutes the noise during using the chair.

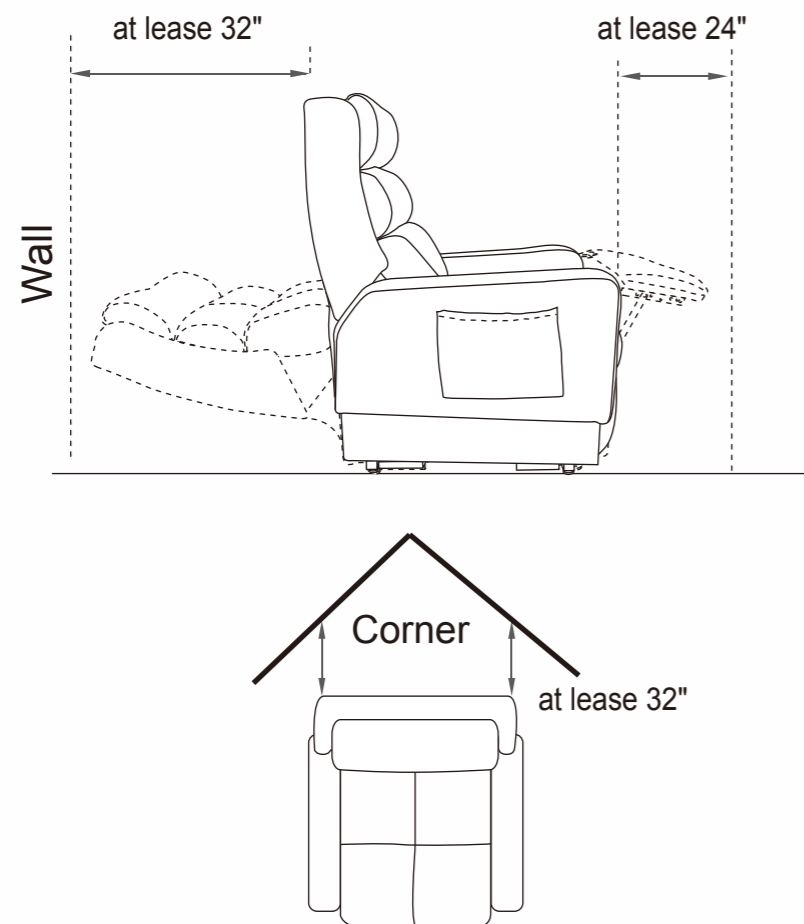
Notes:

- Place the chair on a level surface.
- Do not keep the chair in a place with high humidity like a bathroom.
- Do not keep the chair in a place where it will be exposed to direct sunshine for an extended period, or in a place near a heater where the temperature may reaches high levels.

Step 2.

Ensure there is sufficient space to allow the chair to recline and lift.

In order not to touch the wall or other things when reclined and lifted, allow the clearance of 32" from the back to the wall and 24" from foot rest to the wall. See blow images for better understanding.



Step 3.

Check the fabric of the chair

Prior to use, make sure there are no tears. If a tear is found obtain service, do not use the chair.

Step 4.

Check the power cord

Check that there is neither breakage nor damage to the power adaptor.

Check that the cords are not caught or placed beneath the chair.

Step 5.

How to connect the power source

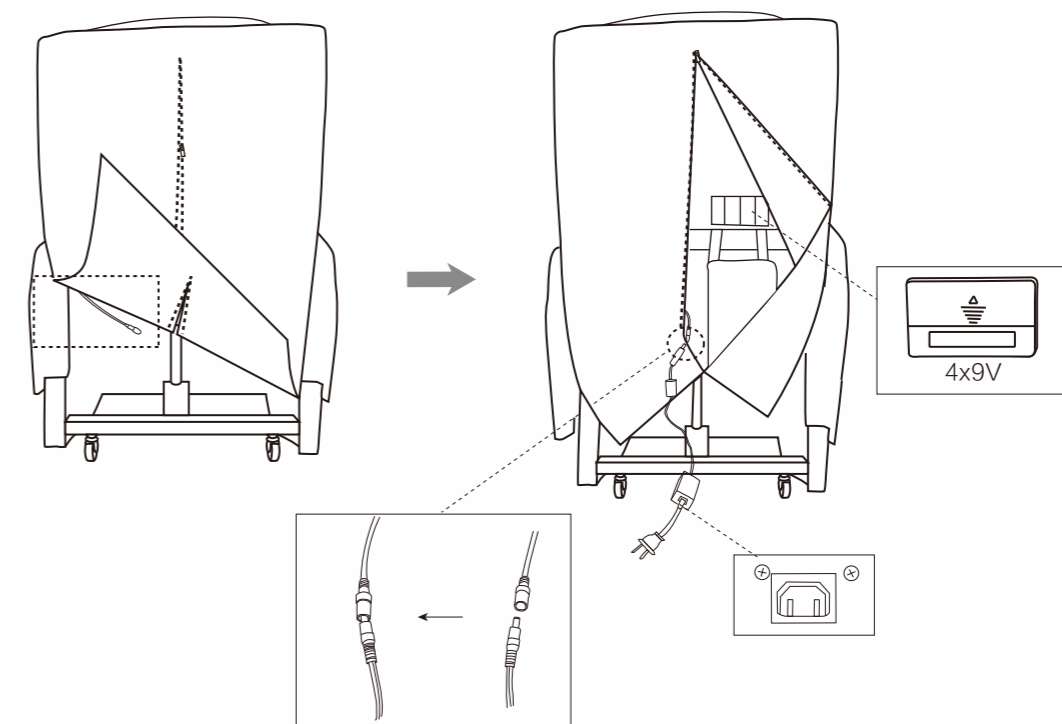
- 1) Connect the power adaptor with the chair
- 2) Insert the power plug into an outlet

Step 6.

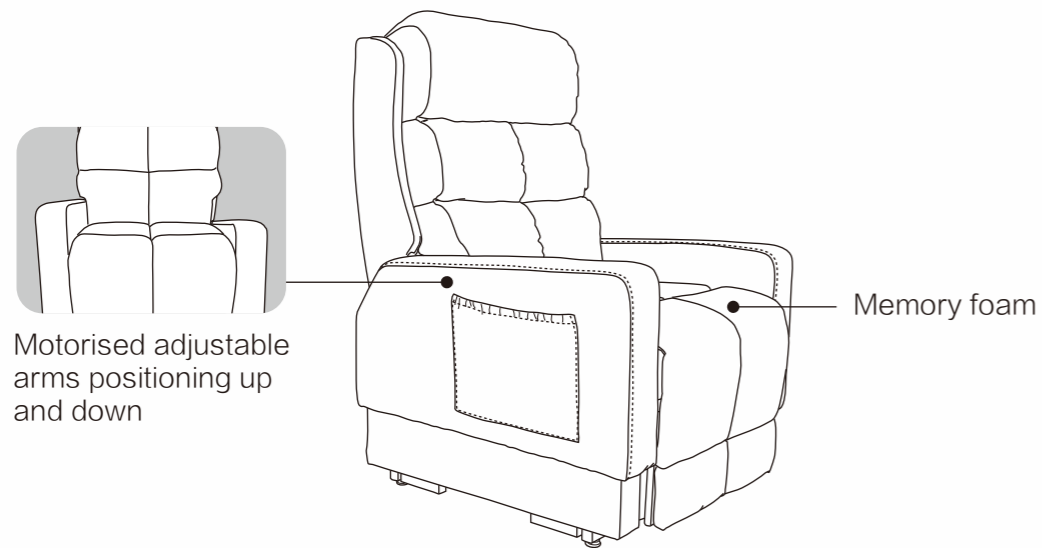
Battery Installation

Your mobility seating is equipped with a battery backup system that will activate during a power failure. the backup system is powered by four 9V batteries (not included)

Notice: Always make sure the battery box is equipped with four fresh 9V batteries since the battery backup system does not recharge itself. In the case of a power failure, the backup battery may not lift the user a fully raised position.



FEATURES



Fully Adjustable Armrest

Helps reduce muscular strain or shoulder tears when getting in and out of chair. Also provides greater support for nursing mothers. Fully adjustable arms on both sides allow ease of entry and exit from sides of chair.

Zero Gravity with adjustable backrest & footrest

Easy to press ZGR button to achieve zero gravity position, TV button to TV position. Allows for convenient postural adjustment of backrest & footrest to achieve full recline (Trendelenburg position) or any desired position.

Memory Seat Foam

Superior layers visco elastic cushioning scientifically developed to help reduce pressure on the body and help improve circulation, also helps prevent pressure sores for people with sensitive skin.

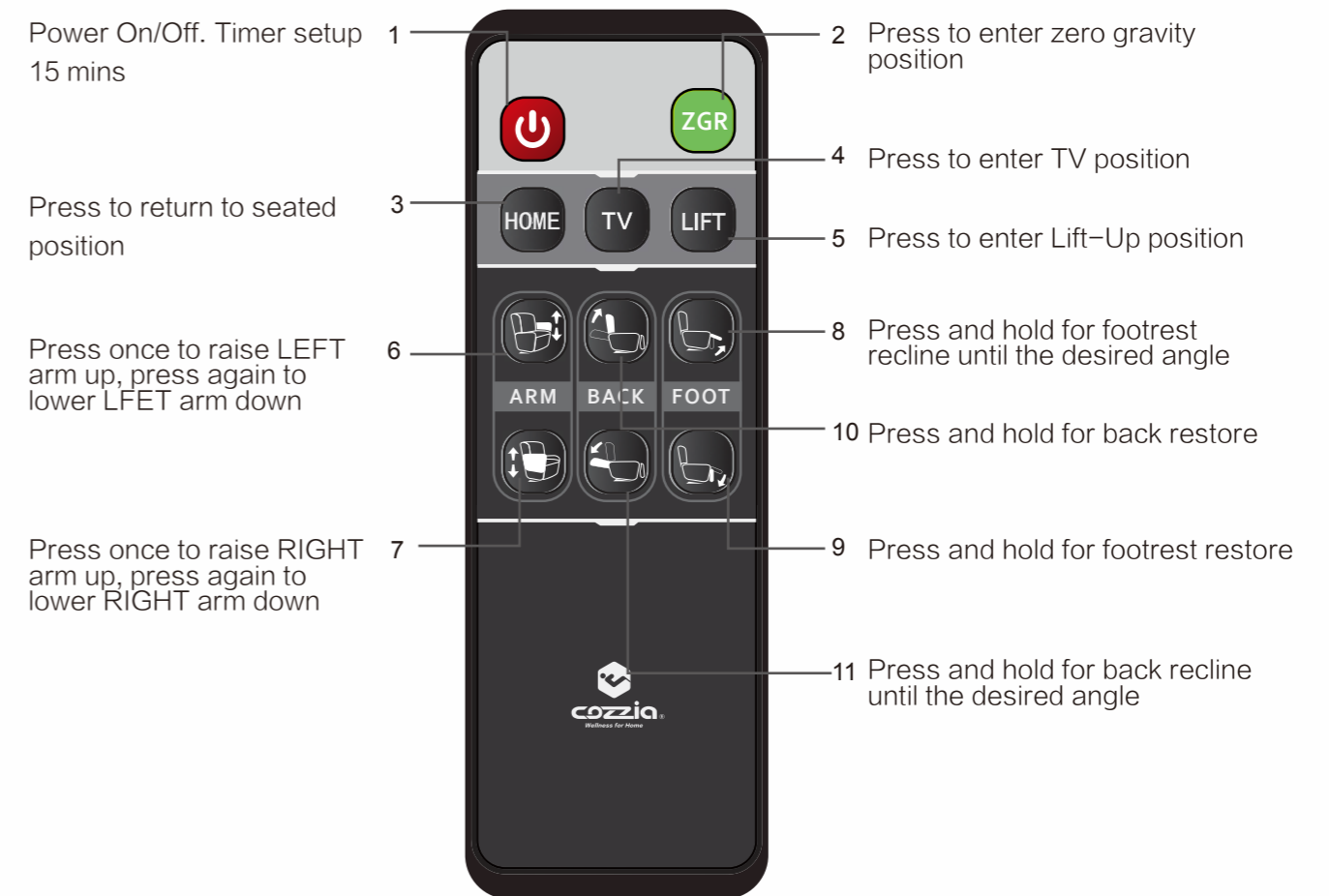
Electric Lift Function

An electric lift function to help you in and out of the chair.

OPERATION

NOTICE:

- The footrest will be reset to recline and then the chair to be reset to HOME position when plugged in.
- The timer of the chair is setup as 15 minutes.
- Automatic function buttons can ONLY be used when POWER button is ON.
- If any button keeps blocking, left arm button will keep blinking.
- In case of power failure, please press the LIFT button to start the battery back-up system and help you lift to the raised position for easily movement.





TROUBLE SHOOTING

Warning

If the troubles still persists after following the proper countermeasures, stop using the chair to avoid possible accidents. Disconnect the power plug from the outlet and consult Cozzia. Do not attempt to repair the chair, instead contact a certified technician.

Type of Troubles	Check points	Countermeasures
Operation failure	Check that the power plug is securely plugged into the outlet	Push the power plug into the outlet securely
	Check that the power adaptor is well connected to the chair	Well connect the DC terminals between the chair and power adaptor
Impossible to recline Impossible to raise or lower the foot rest	Check that there is no obstruction	Remove the obstruction

If you continue to have problems, please read the warranty card and contact the Cozzia service department.

WARRANTY INFORMATION

COZZIA products have the following warranty:

COZZIA's massage chairs, massaging motion upholstery and home theater massage seating provide a one year in-home service warranty and a two years parts warranty.

COZZIA customer service will not issue Return Material Authorizations (RMAs) for products.

COZZIA products will be either repaired by the consumer or by an in-home technician.

COZZIA will not issue Return Material Authorizations (RMAs) for buyer's remorse.

SERVICE AND TECHNICAL SUPPORT

Consumers may contact Cozzia's Customer Service Department at 1-877-977-0656 between 9.00am and 5.00pm PST, Monday thru Friday or e-mail us at Service@cozziausa.com or visit our website at www.cozziausa.com for warranty and service issues.

Consumers are required to provide the unit serial number and dated proof of purchase (sales receipt) when they contact the Cozzia Service Department regarding repair.

A Cozzia customer service representative will attend to most consumer inquiries, but in some cases a technical service specialist will be required to provide enhanced support.

Non warranty repair is provided on a 'per incident' basis. Cozzia customer service will verify that the unit has failed and provide instructions for repair. All applicable repairs, parts, shipping, handling, local tax and a 'per incident' fee will be charged for non-warranty repairs and support calls

Proof of purchase (original receipt) is required for all warranty repairs and servicing.



Extended Warranties

Cozzia offers extended warranty programs to enhance ownership of Cozzia products. Extended warranty provides a three year limited repair or replacement massage chair warranty with on-site service. Please visit www.cozziausa.com for the latest terms and pricing regarding extended warranties.

Product Repairs: Many Cozzia product repairs may be performed by the consumer in his/her own home with parts and instructions supplied by Cozzia, such as a remote controller replacement that does not require the services of a technician.

- Floor models and Demonstration units have a pro-rated warranty period that begins the day the model is placed on the floor and connected to an electrical outlet by the retail partner. Proof of purchase is required to obtain warranty service and parts. Non-warranty parts and servicing are available at a 'per incident' charge;
- **Warranty Coverage Period:** Warranty coverage starts at the time the consumer purchases their chair. Proof of purchase is required for all warranty repairs. The warranty time period is measured by continuous calendar days based on the seven day week.
- **Field Service:** Cozzia Customer Service Department will diagnose and schedule an authorized service provider to repair the chair in the consumer's residence;
- **Parts:** All parts deemed necessary for repairs will be shipped to the consumer at no charge by the Cozzia Service Department.

CONSUMER WARRANTY LIMITATIONS AND EXCLUSIONS

Warranties are only valid in the 48 contiguous United States, and are contingent upon the consumer operating the chair according to the corresponding instruction manual.

- The warranty only applied to Cozzia products and does not include any accessories or enhancements;
- Field service requires pre-approval and must be performed by Cozzia's authorized field service personnel. Field service is only available in the 48 contiguous United States;

- Softening of foam and filling composites in pillows, pads and memory foam occurs naturally and does not constitute a defect under this warranty;
- Fading, wear and piling of fabric occurs naturally and does not constitute a defect under this warranty;
- Warranty do not cover any loss or damage resulting from improper installation, unauthorized repairs or modifications, improper use of the electrical/power supply, a malfunction or damage of an operating part from failure to implement the manufacturer's recommended maintenance, transportation damage, theft, abuse, misuse, neglect, vandalism, or environmental conditions (fire, flood, rust, corrosion, sand, dirt, windstorm, hail, earthquake or exposure to weather conditions), loss of use during any period that the product is at a repair facility or is otherwise awaiting parts or repair;
- Damage due to shipping and handling does not constitute a defect under this warranty;
- Under no circumstances Shall Cozzia or its representatives be liable for indirect consequential or incidental damages (including damages for lost profits, business interruption, bodily injury, medical problems) even if the other party has been advised of the possibility of such damages or possible problems;
- Warranties are non-transferable and shall be lieu of any other warranty express or implied, including but not limited to any implied warranty or merchantability of fitness for particular use;
- Cozzia's sole liability and the purchaser's exclusive remedy shall be for repair, or at Cozzia's option, for replacement of the defective part. Notwithstanding the above, if the replacement parts for defective materials are not available, Cozzia reserves the right to make substitutions in lieu of repair or replacement;]
- All warranties begin on the date of purchase and no allowance or extension is offered for delivery and/or installation;
- Warranties do not apply to rental businesses, commercial institutions or other non-residential users.



WARRANTY REGISTRATION FORM

Product Serial No. (located on product) _____

Purchase price _____ Model No. _____

First Name _____ Last Name _____

Address _____

City _____ State _____ Zip _____

Phone _____

Email _____

Please mail to:

COZZIA USA LLC

14515 E Don Julian Rd.

City of Industry CA 91746

Tel: 1-877-977-0656

Fax: 1-800-521-4712